

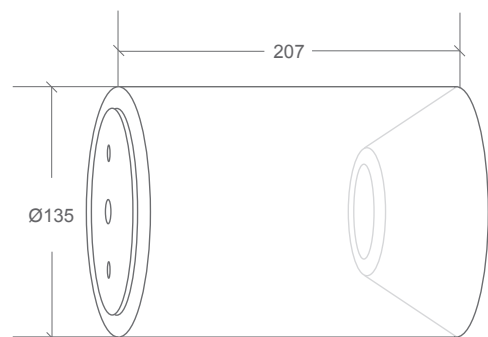
CYLINDER SURFACE-MOUNTED TRIMS



COLOUR	CODE
WHITE	BL-DL-101-C135W
BLACK	BL-DL-101-C135B

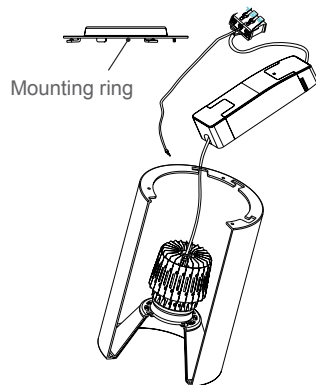
For surface mounting G50 and S50 light modules with driver

DIMENSIONS	Ø135 x H207mm
HOUSING	Powder-coated spun aluminium
INGRESS PROTECTION	Indoor use only

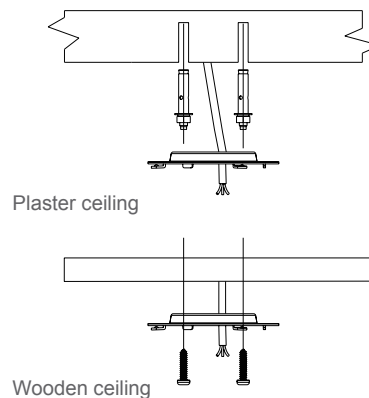


CEILING LIGHT INSTALLATION

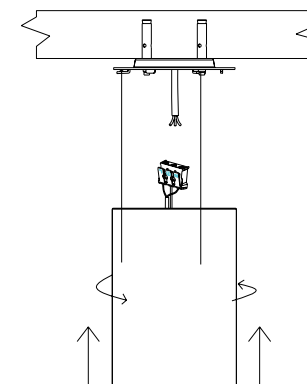
1. Remove the mounting ring from luminaire



2. Fix mounting ring with expansion bolt for plaster or concrete ceiling. Use self-tapping screw for wooden ceiling

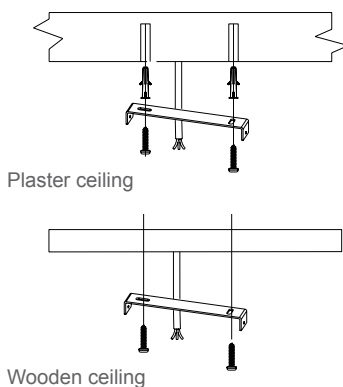


3. Connect the input wire, put driver into luminaire casing then twist and lock on the mounting ring

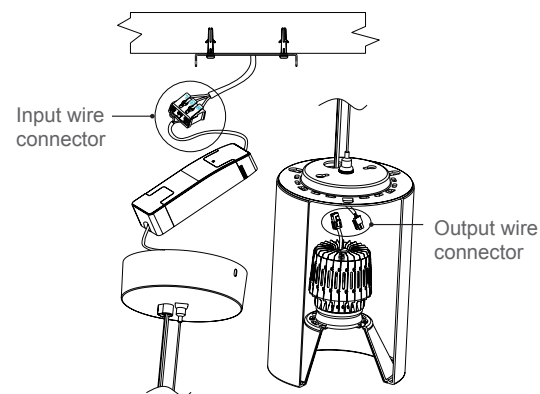


PENDANT LIGHT INSTALLATION

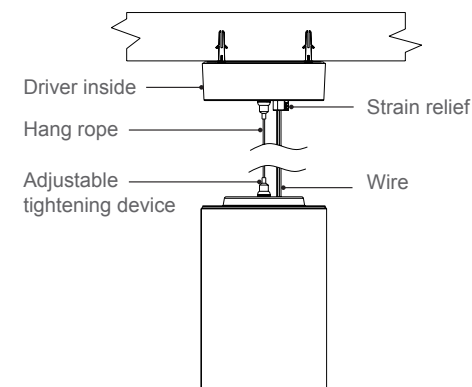
1. Fix mounting bracket with expansion pipe & self-tapping screw for plaster ceiling. Use self-tapping screw for wooden ceiling



2. Connect input and output wire as below



3. Adjust pendant light to appropriate position with Adjustable tightening device



SAFETY NOTES

- Switch off the electricity at the mains before commencing installation.
- Make sure all connections are tight with no loose strands.
- Ensure fire regulations are not breached when fitting downlight.

WARNING

- Indoor use only.
- Please ensure the packaging is disposed of safely.
- If any cable is defective, do not use.
- Only a registered electrician should install this product.

