

SIGNAL IN-GROUND



BL-RS-2100-WW



BL-RS-2101-WW

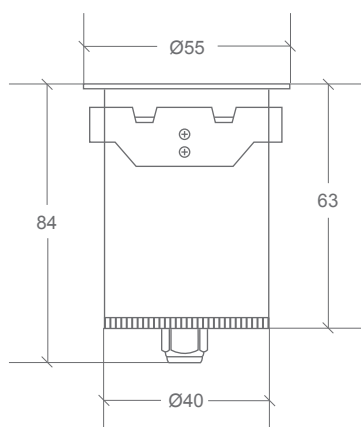


BL-RS-2102-WW

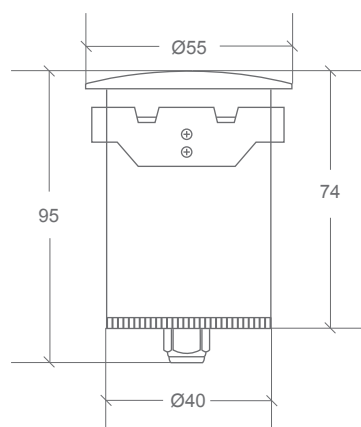
CODE	BEAM ANGLE	DIMENSIONS	CUT-OUT	HOUSING
BL-RS-2100-WW	40°	Ø55 × L84mm	Ø40mm	Die-cast aluminium with tempered glass and type 316 stainless steel cover
BL-RS-2101-WW	Single directional beam created by luminaire cover	Ø55 × L95mm	Ø40mm	Die-cast aluminium with type 316 stainless steel cover
BL-RS-2102-WW	Twin directional beam created by luminaire cover	Ø55 × L95mm	Ø40mm	Die-cast aluminium with type 316 stainless steel cover

WATTS	2W	COLOUR	Warm White 3000K	MOUNTING	Recessed <i>In-ground installation tube included</i>
INPUT VOLTS	12–24V DC constant voltage	CRI	≥83	INGRESS PROTECTION	IP68
OPERATING TEMP.	-40°C ~ +50°C	LUMENS	120lm	CONNECTION METHOD	Double-insulated 2-core flex
MAX. LOADING	20 units per power feed	EFFICACY	70lm/W	CONTROL	Non-dimmable <i>Power supply not included</i>
MAX. DISTANCE FROM POWER SUPPLY	10 metres recommended	LED BRAND	Cree		Compatible with Bright Light's IP65 constant voltage power supplies
		SOURCE LIFE	50,000 hours		
		WARRANTY	3 years		

BL-RS-2100-WW



BL-RS-2101-WW
BL-RS-2102-WW



Installation tube (included)
Ø53 × H100mm