

**HIGH BAYS | IP20 | 150–200W**

CODE	LED WATTS	LUMENS	LED EFFICACY	WEIGHT
BL-CS-HB-5001-XX	150W	18,600lm*	124lm/W	4.25kg
BL-CS-HB-5002-XX	200W	24,600lm*	123lm/W	5.5kg

IES FILES AVAILABLE  
\* LUMENS BASED ON USE WITH 110° REFLECTOR

VOLTS	100–240V AC 50/60Hz input
POWER FACTOR	≥0.95
OPERATING TEMP.	-20°C ~ +50°C
COLOUR	Natural White 4000K
CRI	≥80
BEAM ANGLE	90°, 110°, and prismatic reflectors available
SOURCE LIFE	50,000 hours
LED BRAND	Philips 3030
WARRANTY	5 years
DIMENSIONS	150W: Ø190 x H360mm 200W: Ø225 x H370mm
DRIVER	Mean Well HLG
HOUSING	Aluminium heatsink
FINISH	Silver
MOUNTING	Hanging by pothook
INGRESS PROTECTION	Indoor Use Only
CONTROL	Non-dimmable
CONNECTION METHOD	2m double-insulated 3-core flex

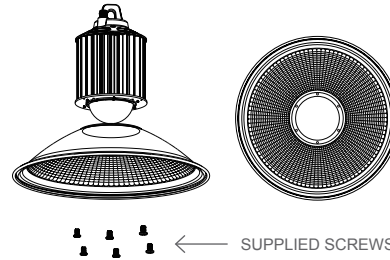


**SAFETY / WARNING NOTES**

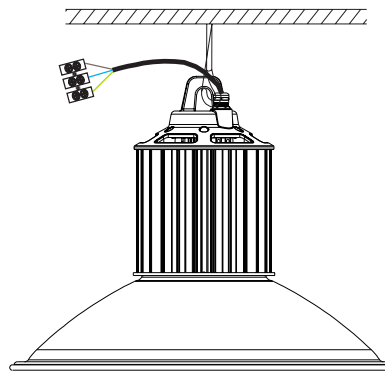
- This product must be installed by a registered electrician to AS/NZS standards.
- This luminaire shall under no circumstances be installed in a residential installation & is for commercial use only.
- This luminaires optical radiation is inline with "no dangerous level" requirements of IEC/EN 62471 "Photobiological Safety"
- Ensure the reflector is securely mounted to the main body of the lamp & can not fall
- Keep the lamp away from rain or moisture
- Before the initial start up, please make sure all cable connections are tightly secured and insulated.
- If the external flexible cable or cord of this luminaire is damaged, it shall be exclusively replaced by the manufacturer or his service agent or a similar qualified person in order to avoid a hazard.

**INSTALLATION**

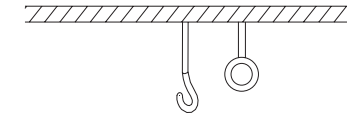
1. Assemble the reflector and the lamp housing with supplied screws



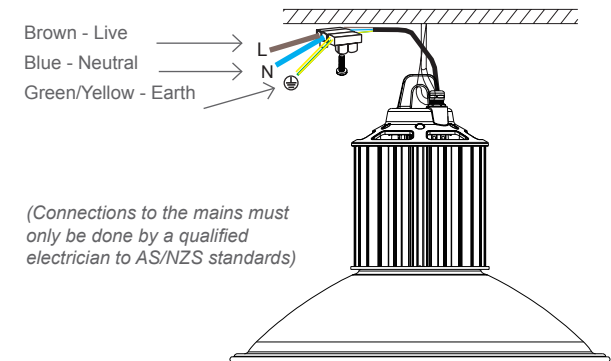
3. Hang the lamp in place and secure



2. Before installing the lamp, fit the pothook in the desired location and ensure fixing is appropriate for the high bay weight.



4. Connect 230V AC feed as shown



**LED LAMP TROUBLE SHOOTING GUIDE**

**LED lamp does not light**

- Check electrical system to make sure incoming line voltage is on proper L,N,G.
- Check leads for loose connection, disconnected or pinched wires.
- Check switch for disconnection.
- Make all necessary wiring connections observing voltage and polarity.

**LED lamp flashing**

- The line voltage at the fixture is correct.
- The fixture is wired correctly and the correct lamp is properly installed.

**If the lamp fails to operate properly after lighting for an extended period of time**

- Double check all the cable connections and switch are properly wired.

IF YOU ARE UNABLE TO DETERMINE THE CAUSE OF THE PROBLEM CONTACT AND RETURN THE DEVICE TO YOUR SUPPLIER. DO NOT OPEN THE DEVICE (AS THIS MAY DAMAGE THE UNIT AND THE WARRANTY WILL BECOME VOID).

BRIGHTLIGHT WILL NOT BE LIABLE FOR THE DESTRUCTION, LOSS OR DAMAGE OF THE PRODUCT CAUSED BY ANY OF THE FOLLOWING REASONS:

- Installation or support of the product has not been completed according to the specification or used in any other situation outside of the manufactures operating specifications or environment
- Using the incorrect voltage or current at installation causing the lamp to not function properly or fail as result.
- The product is broken or part is broken due to being misused, illegally used, modified or because of an accident.
- Any component normal wear and tear or aging