



EXTERIOR PROJECTOR LIGHTS



BL-EL-111-WW



BL-EL-112-WW

CODE	WATTS	LUMENS	BEAM ANGLE
BL-EL-111-WW	5W	380lm	40°
BL-EL-112-WW	11.5W	1000lm	30°

VOLTS	12–24V DC Input Constant Voltage
-------	----------------------------------

OPERATING TEMP.	-40°C ~ +50°C
-----------------	---------------

MAX. RUN PER POWER FEED	10 metres recommended
-------------------------	-----------------------

HOUSING	Anodised housing and tempered glass
---------	-------------------------------------

FINISH	Silver and black finishes available
--------	-------------------------------------

MOUNTING	U mounting bracket included Ground stake accessory available
----------	---

INGRESS PROTECTION	IP68
--------------------	------

CONNECTION METHOD	Double-insulated 2-core flex
-------------------	------------------------------

CONTROL	Non-dimmable <i>Power supply not included</i>
---------	--

SOURCE LIFE	50,000 hours
-------------	--------------

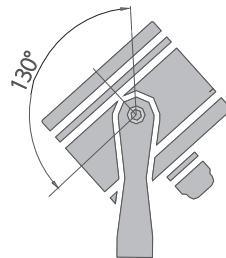
WARRANTY	3 years
----------	---------

IMPORTANT SAFETY NOTES

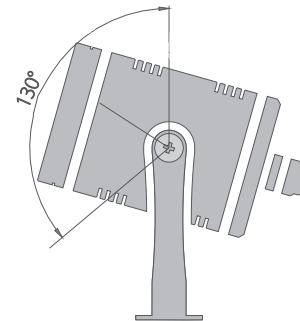
1. Switch off the electricity at the mains before commencing installation or lamp change and (if a fuse box is used) remove the appropriate circuit fuse to avoid accidental switching on of the mains supply.
2. Connect to a 12V-24V DC power supply in accordance with AS/NZS regulations.
3. Make sure all connections are tight with no loose strands.
4. Ensure fire regulations are not breached when fitting your lights.

DIMENSIONS

BL-EL-111-WW
W86 × L74 × H100mm



BL-EL-112-WW
W86 × L120 × H120mm



Ground stake
BL-EL-MS-10

WARNING

1. Please ensure that the packaging is disposed of in a safe environment.
2. If cable is defective, do not use or exchange the cable, please contact your local dealer.
3. We do recommend that a qualified electrician should install the products.
4. Do not look at the lit LED directly.
5. Maximum connection quantity please see table below.

MAX. LIGHT CONNECTION QUANTITY

MODEL CODE	QUANTITY	RECOMMENDED CABLE (MM2)
BL-EL-111-WW	15 x PCS	1 mm ²
BL-EL-112-WW	10 x PCS	1 mm ²

INSTALLATION PROCESS

Ground stake

