

**CYLINDER SURFACE MOUNT KIT**



COLOUR	CODE
BLACK	BL-CL-108-C230B
SILVER	BL-CL-108-C230S
WHITE	BL-CL-108-C230W

Surface mounted installation solution for the 35W Commercial Down Light (BL-CL-108-NW)

DIMENSIONS Ø232 × H265mm

HOUSING Powder-coated spun aluminium

WEIGHT 1.3kg

INGRESS PROTECTION Indoor use only

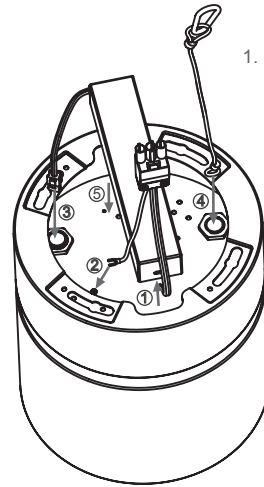
**SAFETY NOTES**

- Switch off the electricity at the mains before commencing installation.
- Make sure all connections are tight with no loose strands.
- Ensure fire regulations are not breached when fitting downlight.

**WARNING**

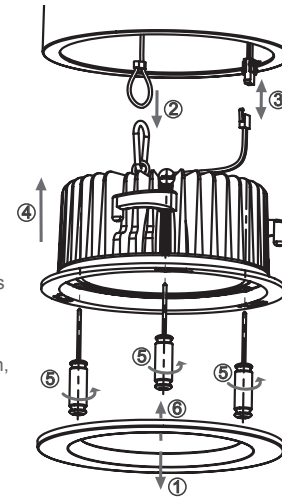
- Indoor use only.
- Please ensure the packaging is disposed of safely.
- If any cable is defective, do not use.
- Only a registered electrician should install this product.

**INSTALLATION**

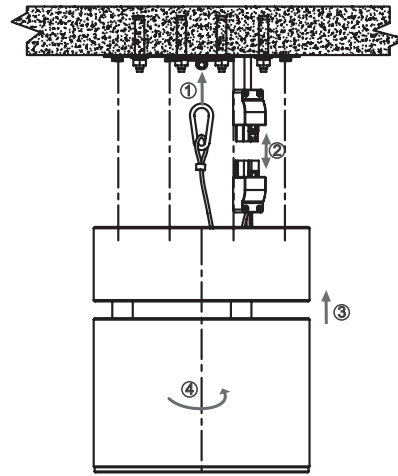


1. Place driver in upper cylinder after connecting to mains supply

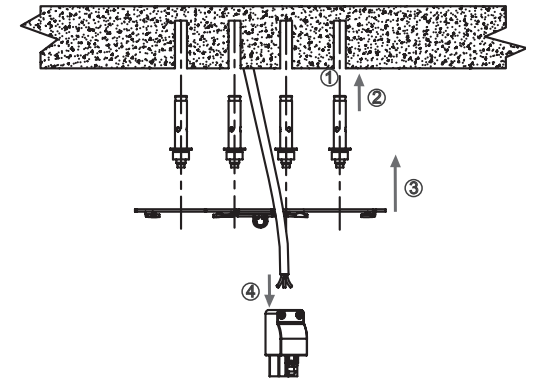
2. Attach tether to down light
3. Connect low voltage connectors
4. Secure down light to lower cylinder using 3 x fasteners
5. Attach trim ring, wipe lens clean, and turn on



8. Attach tether to mounting bracket
9. Connect mains supply connectors securely
10. Ensure ground wire is securely connected to metal housing



6. Install fasteners and mounting bracket securely to ceiling
7. Connect mains feed to connector



**COMPONENTS**

