

## PROJECTOR



BL-EL-111-WW



BL-EL-112-WW

CODE	WATTS	LUMENS	EFFICACY	BEAM ANGLE	NUMBER OF LED CHIPS	FINISH	DIMENSIONS
BL-EL-111-WW	5W	380lm	76lm/W	Beam 40° Tilt 130°	3	Silver	W86 × L74 × H100mm
BL-EL-111B-WW						Black	
BL-EL-112-WW	11.5W	1000lm	87lm/W	Beam 30° Tilt 130°	7	Silver	W86 × L120 × H120mm
BL-EL-112B-WW						Black	
BL-EL-MS-10	Ground stake accessory for projector lights available.						L60mm

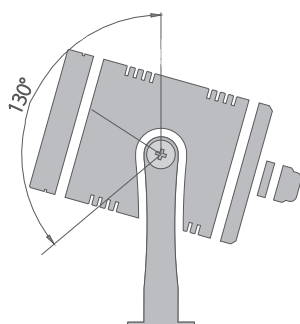
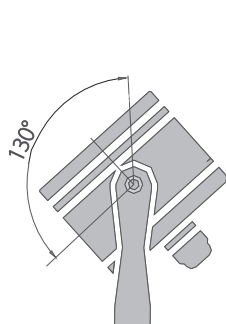
VOLTS	12–24V DC Input Constant Voltage
OPERATING TEMP.	-40°C ~ +50°C
MAX. RUN PER POWER FEED	10 metres recommended

CRI	≥83
COLOUR	Warm white 3000k
SOURCE LIFE	50,000 hours
BRAND	CREE LED
WARRANTY	3 years

HOUSING	Anodised housing and tempered glass
FINISH	Silver and black finishes available
MOUNTING	U mounting bracket included  Ground stake accessory available
INGRESS PROTECTION	IP68
CONNECTION METHOD	Double-insulated 2-core flex
CONTROL	Non-dimmable  <i>Power supply not included</i>  Compatible with Bright Light's IP65 constant voltage power supplies

BL-EL-111-WW

BL-EL-112-WW



Ground stake  
BL-EL-MS-10