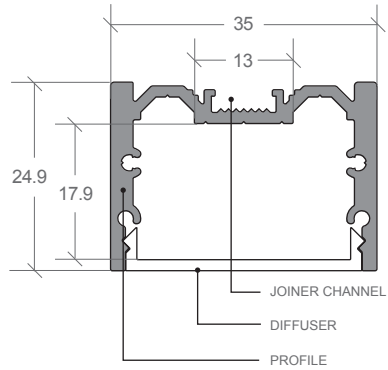
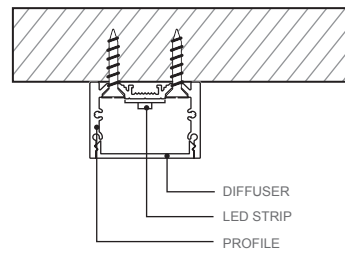


HIGHLINE 01

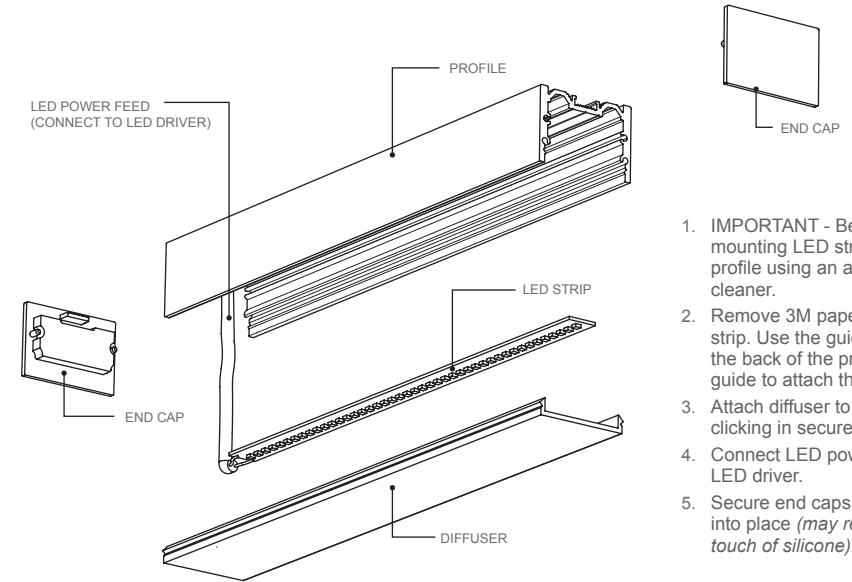
1. DETAIL AND DIMENSIONS



2. MOUNTING OPTIONS

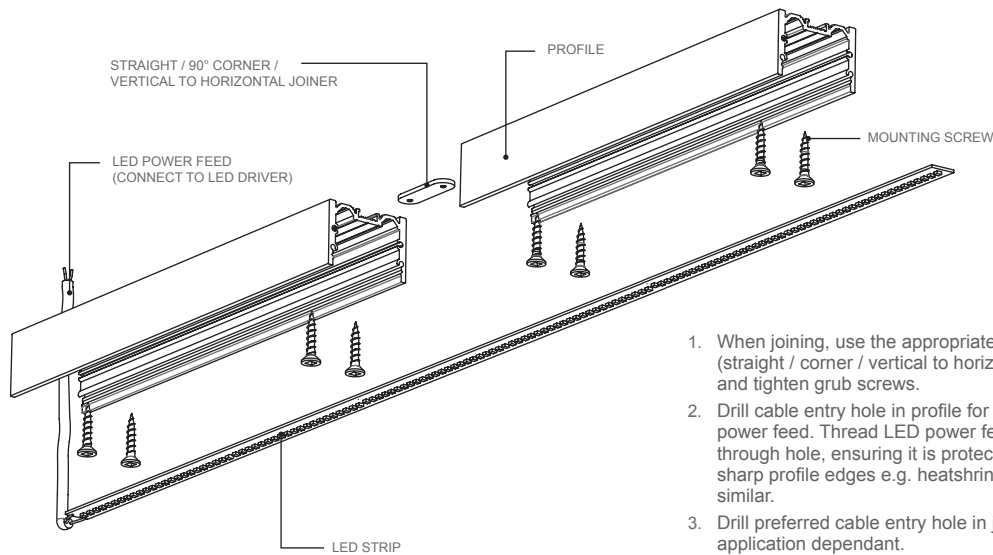


4. ASSEMBLE LED STRIP AND DIFFUSER



1. IMPORTANT - Before mounting LED strip, clean profile using an alcohol based cleaner.
2. Remove 3M paper from LED strip. Use the guide lines at the back of the profile as a guide to attach the LED strip.
3. Attach diffuser to profile by clicking in securely.
4. Connect LED power feed to LED driver.
5. Secure end caps by pressing into place (*may require a touch of silicone*).

3. PROFILE INSTALLATION



1. When joining, use the appropriate joiner (straight / corner / vertical to horizontal) and tighten grub screws.
2. Drill cable entry hole in profile for LED power feed. Thread LED power feed through hole, ensuring it is protected from sharp profile edges e.g. heatshrink or similar.
3. Drill preferred cable entry hole in joinery - application dependant.
4. Use screws to secure profile against wall/ ceiling (see mounting options)