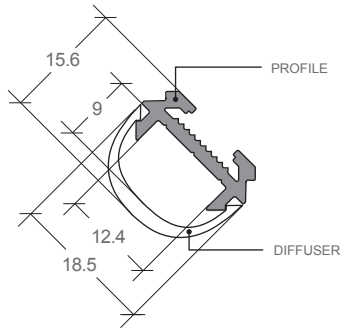
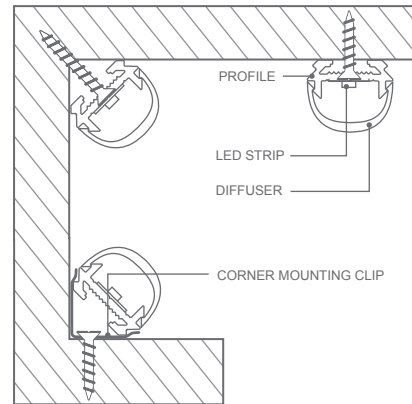


**BASELINE 03**

**1. DETAIL AND DIMENSIONS**

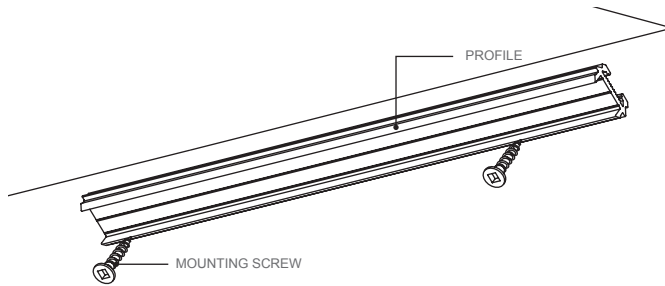


**2. MOUNTING OPTIONS**



**3. PROFILE INSTALLATION (ON 45° ANGLE OR STRAIGHT OR CORNER MOUNTING CLIP)**

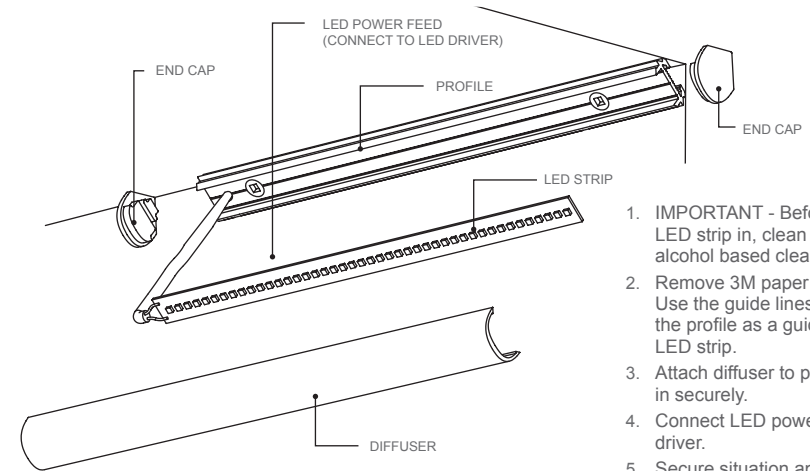
1. When joining, use the appropriate joiner (straight / corner / vertical to horizontal) and tighten grub screws.
2. Drill cable entry hole in profile for LED power feed. Thread LED power feed through hole, ensuring it is protected from sharp profile edges e.g. heatshrink or similar.
3. Drill preferred cable entry hole in joinery - application dependant.
4. **If screw mounting profile:** Countersink screws to secure profile against wall/ceiling (see mounting options). *Ensure screws do not stick up as this creates an uneven surface for the LED ribbon.*



**5. If using corner mounting clip:** Screw mount clips in desired location.



**4. ASSEMBLE LED STRIP AND DIFFUSER IN PROFILE (ON 45° ANGLE OR STRAIGHT)**



1. **IMPORTANT** - Before mounting LED strip in, clean profile using an alcohol based cleaner.
2. Remove 3M paper from LED strip. Use the guide lines at the back of the profile as a guide to attach the LED strip.
3. Attach diffuser to profile by clicking in securely.
4. Connect LED power feed to LED driver.
5. Secure situation appropriate end caps by pressing into place (*may require a touch of silicone*).

**5. ASSEMBLE LED STRIP AND DIFFUSER IN PROFILE (WITH CORNER MOUNTING CLIP)**

1. **IMPORTANT** - Before mounting LED strip in, clean profile using an alcohol based cleaner.
2. Remove 3M paper from LED strip. Use the guide lines at the back of the profile as a guide to attach the LED strip.
3. Attach diffuser to profile by clicking in securely.
4. Connect LED power feed to LED driver.
5. Secure situation appropriate end caps by pressing into place (*may require a touch of silicone*).
6. Clip completed profile into corner mount clips.

