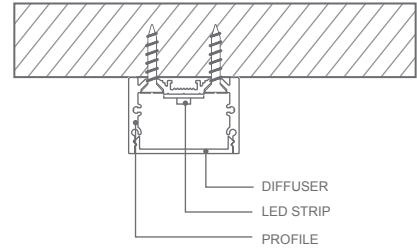
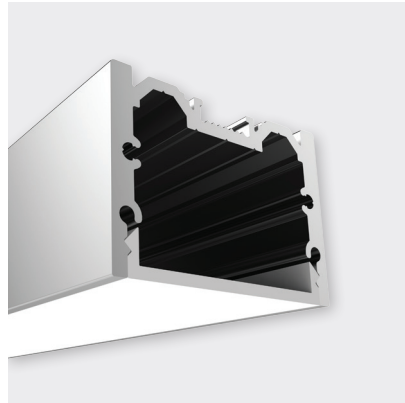
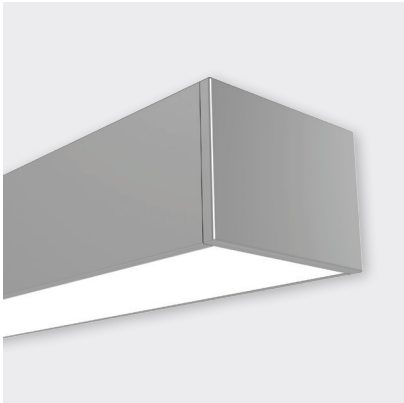


HIGHLINE 01



DIFFUSER	FINISH	CODE
OPAL	ANODISED	BL-LP-H01ASO-XX
	BLACK	BL-LP-H01BSO-XX
	WHITE	BL-LP-H01WSO-XX

XX = (2M) 2 METRE or (4M) 4 METRE LENGTHS

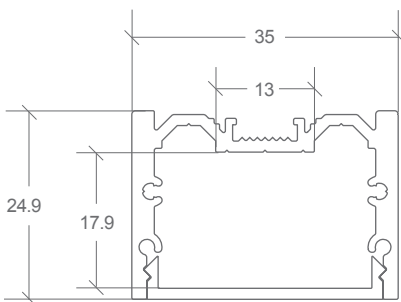
FEATURES

- Satin opal polycarbonate diffuser
- Anodised aluminium, black, or white powder-coat
- Surface mount
- General and task lighting

Designed & engineered
in New Zealand



DIMENSIONS



ACCESSORY



BL-LP-H01X-EC

ACCESSORY

CODE

ALUMINIUM END CAP	BL-LP-H01X-EC
JOINER STRAIGHT	BL-LP-J101S
JOINER 90° CORNER	BL-LP-J102C
JOINER 120° CORNER	BL-LP-J121C
JOINER VERTICAL TO HORIZONTAL	BL-LP-J103VH

END CAPS SOLD INDIVIDUALLY
X = (A) ANODISED, (B) BLACK, OR (W) WHITE