

HIGH BAYS 150W

CODE	LED WATTS	LUMENS	SYSTEM WATTS	SYSTEM EFFICACY
BL-CS-HB-5011-120	150W	16,500lm	155W	106lm/W
VOLTS	100–305V AC, 50/60Hz input			
POWER FACTOR	≥0.95			
OPERATING TEMP.	-40°C ~ +50°C			
COLOUR	Natural White 4000K			
CRI	≥80			
BEAM ANGLE	120°			
SOURCE LIFE	50,000 hours			
WARRANTY	5 years			
DRIVER	Meanwell			
FINISH	Black interpon PZ660 powder-coat finish			
INGRESS PROTECTION	IP65			
CONTROL	DALI Dimmable			
CONNECTION METHOD	2m double-insulated 3-core flex with 3-pin plug			

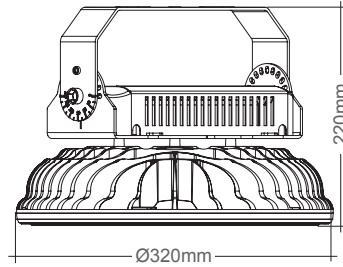
SAFETY NOTES

- This product must be installed by a registered electrician
- The input power cable connection should be sealed using suitable IP65 connectors

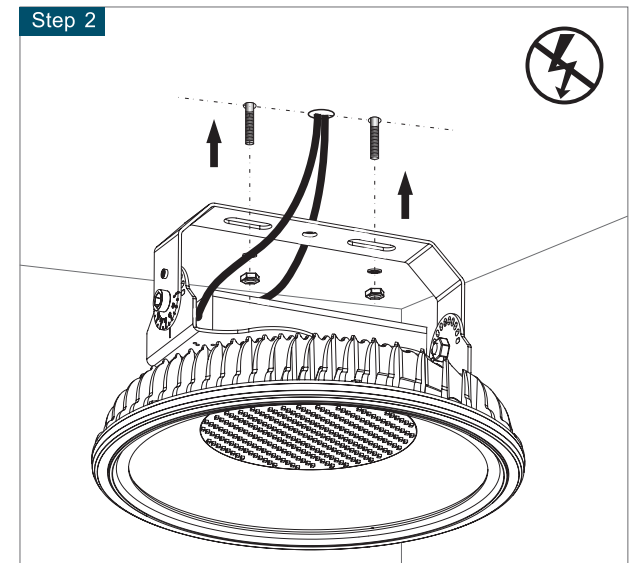
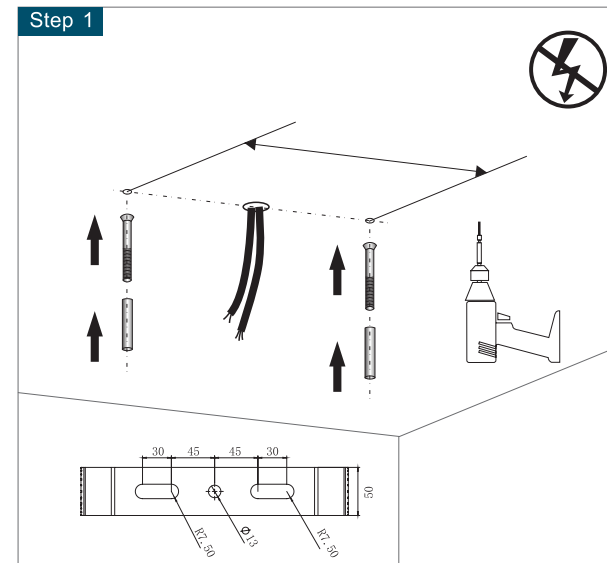


Dimensions

150 WATTS



Wall Mounting Installations



Suspension Chain Installations on next page

HIGH BAYS 150W

CODE	LED WATTS	LUMENS	SYSTEM WATTS	SYSTEM EFFICACY
BL-CS-HB-5011-120	150W	16,500lm	155W	106lm/W

VOLTS	100–305V AC, 50/60Hz input
POWER FACTOR	≥0.95
OPERATING TEMP.	-40°C ~ +50°C
COLOUR	Natural White 4000K
CRI	≥80
BEAM ANGLE	120°
SOURCE LIFE	50,000 hours
WARRANTY	5 years
DRIVER	Meanwell
FINISH	Black interpon PZ660 powder-coat finish
INGRESS PROTECTION	IP65
CONTROL	DALI Dimmable
CONNECTION METHOD	2m double-insulated 3-core flex with 3-pin plug

SAFETY NOTES

- This product must be installed by a registered electrician
- The input power cable connection should be sealed using suitable IP65 connectors



Suspension Chain Installations

